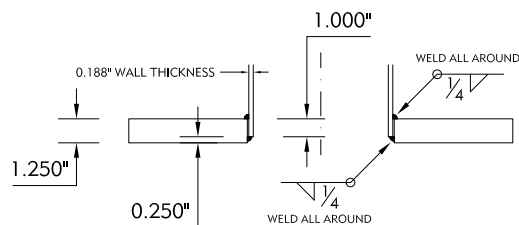
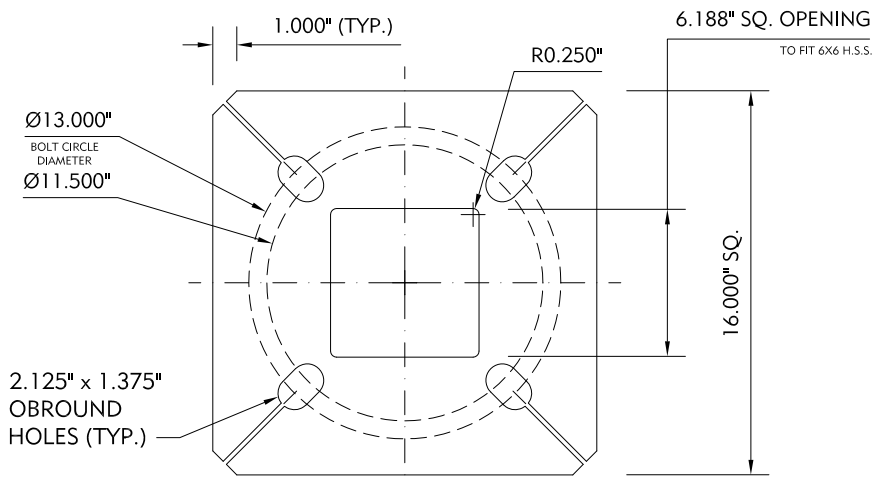
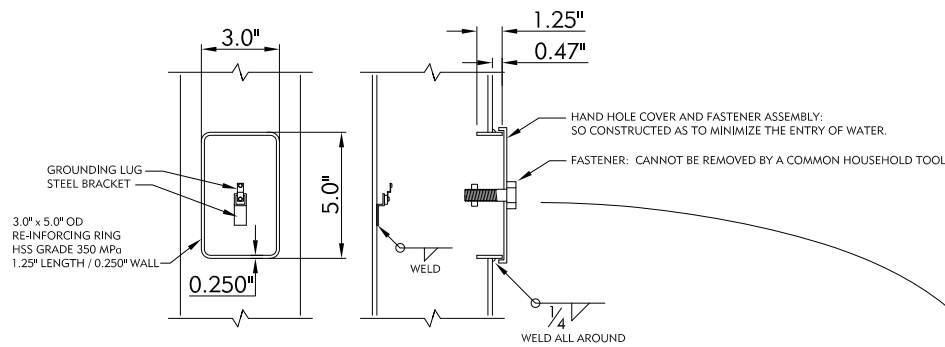


COMPLIES WITH US-CANADA POLE REQUIREMENTS
CSA C22.2 No. 250.0-04 / UL 1598 "CLAUSE 10.3"
CSA C22.2 No. 206-M1987

- CSA 250 Clause 10.3.5A / 10.3.5B / 10.3.7
 HAND HOLE W/ COVER = STANDARD 3" x 5" SPLICE COMPARTMENT WITH GROUNDING MEANS.
- CSA 250 Clause 10.3.5C
 TENON OR DRILLED LUMINAIRE BONDING MEANS IN ACCORDANCE WITH CLAUSE 6.14.3
- CSA 250 Clause 10.3.8 / CSA 206 Clause 3.5.1
 SUPPLY CONNECTION LOCATED AT 18" FROM THE LOWER END OF THE METAL RACEWAY.
- CSA 206 Clause 3.3
 CONDUCTOR SUPPORTS INSTALLED IN ACCORDANCE WITH TABLE 1 OF CLAUSE 3.3
- CSA 250 Clause 10.3.5C
 LUMINAIRE BONDING MEANS IN ACCORDANCE WITH CLAUSE 6.14.3
- CSA 250 Clause 10.3.10
 RATED FOR WET LOCATION IN ACCORDANCE WITH CLAUSE 13.4
- CSA 206 Clause 3.6.1
 PROTECTED AGAINST RUSTING IN ACCORDANCE WITH CSA STANDARD C22.2 No. 0.



18.5"
 FROM CENTER OF
 HANDHOLE TO TOP
 OF BASEPLATE

HEIGHT = 10FT - 40FT

ANCHOR BOLT SIZE = 1-1/4" x 36"



PRODUCT CODE

SSSP-6"

DESCRIPTION

STRAIGHT SQUARE STEEL POLE - 6"